

Solar Cap with Accessory Connect

Installation Notes

- Do not cut any wires. Any extra wire length can be coiled up.
- Replace battery when required with 14500 or 14505, 3.2V, 600 mAh, LiFePO4 (Lithium Phosphate) battery.

Step 1

Mount lighting fixture to post or rail

- Use a template below to drill required holes for light accessory.
- For Dome Light run connector through 3/8" hole and install back plate with two screws included. Place the dome/lens portion of the light over the back plate at a slight angle and rotate clockwise to lock in place.
- For Stair/Side Light run connector through 3/8" hole and install lens with two screws included. Place either the full or half cover onto the lens by snapping into place.
- For Under Rail light run connector through 3/8" hole and mount using the two screws included.

Step 2

Connect to Solar Cap

- Run harness from light accessory to cap.
- Remove pull tab in battery compartment.
- Plug the male connector attached to the light to the female connector on bottom of cap. Press firmly until the connection is fully engaged.
- If additional wire length is required the 2' harness extension can be used between cap and light. Using the 2 output splitter allows two lights to be powered by one post cap. (Maximum of 2 lights per solar cap is recommended).

Step 3

Finalize Installation

- Apply a bead of clear exterior silicone caulking (not supplied) where the Post Cap Light will be installed onto the post or post wrap. Then place Post Cap Light onto the adhesive.

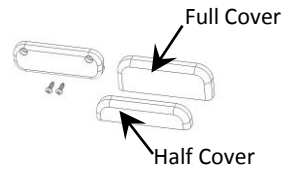
Components (Each sold separately)



Post Cap
(Style May Vary)



Dome Side Light



Stair/Side Light



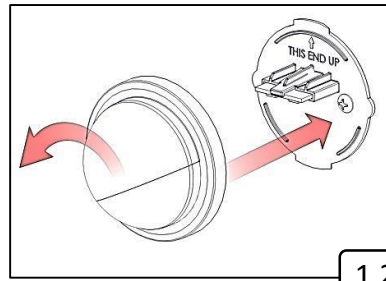
Under Rail



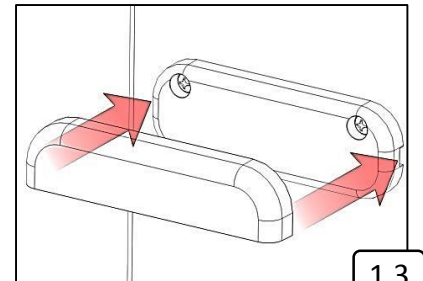
2' Harness
Extension



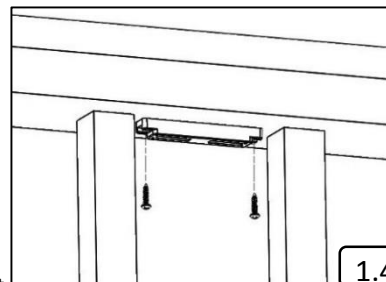
2 Output Splitter



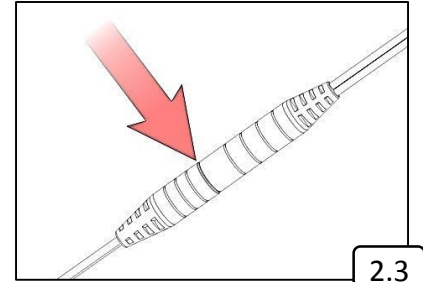
1.2



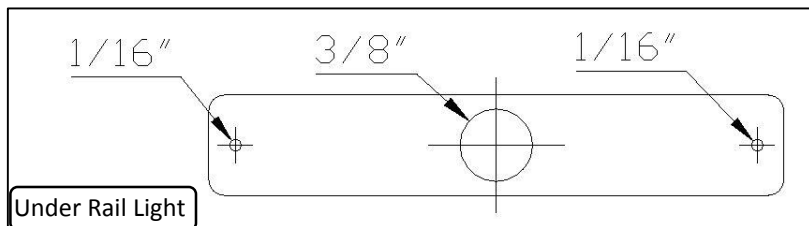
1.3



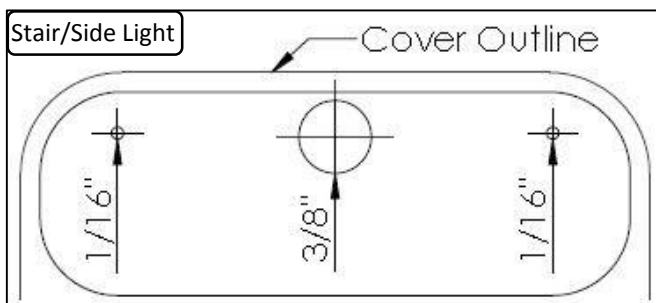
1.4



2.3

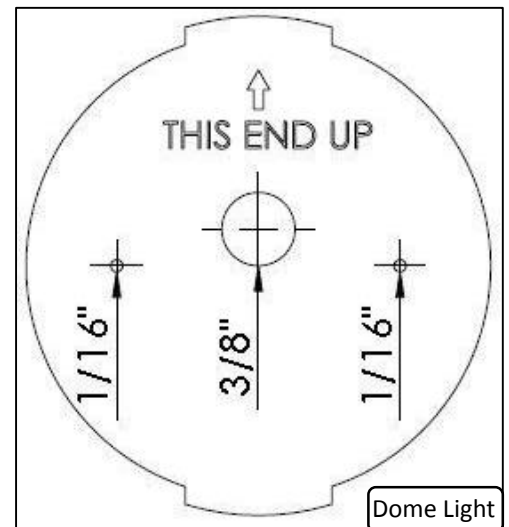


Under Rail Light



Stair/Side Light

Cover Outline



Dome Light