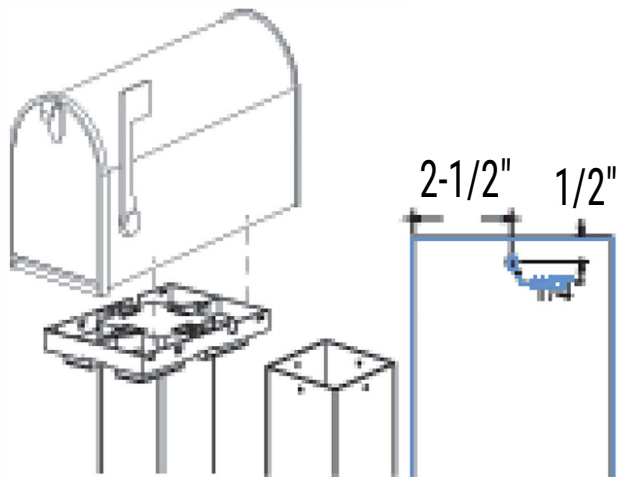
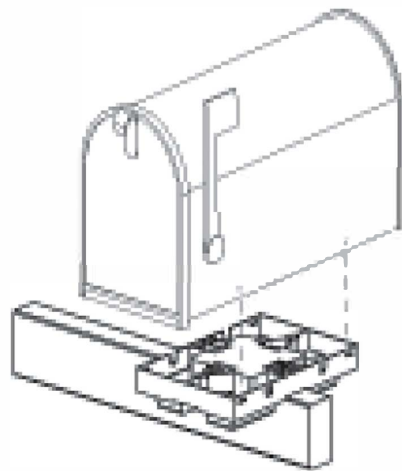


Three Methods For Using The Mailbox Mount



Mount on top of a 5" x 5" vinyl post. Use a 1/4" drill bit and place 4 holes as shown above.



Mount on top of a 2" x 3-1/2" vinyl rail which may be used in two different places as shown. Holes are provided so that the mount can be attached to the rail using screws.

