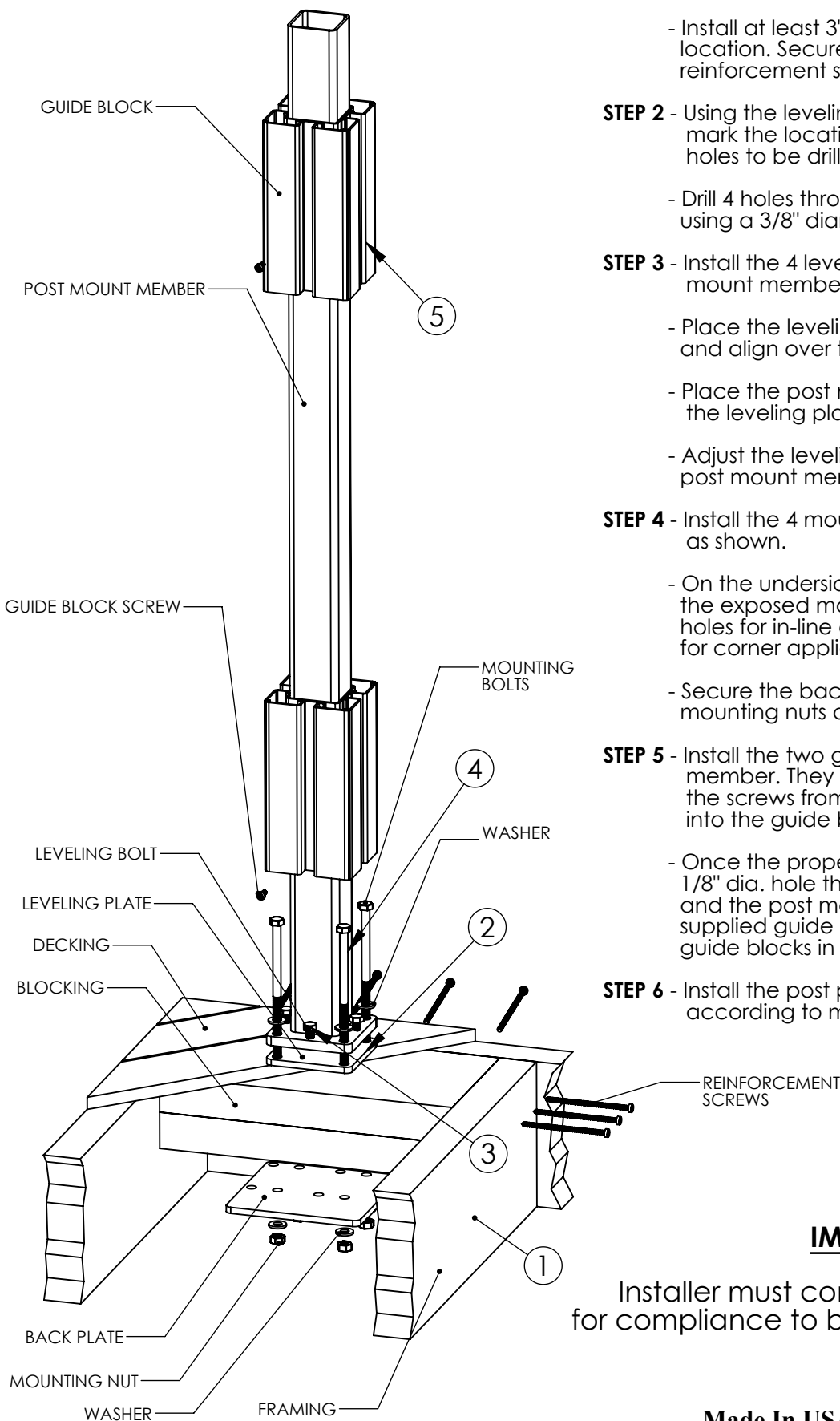


Wood Post Mount Installation Instructions



STEP 1 - Lay out the location of the post.

- Install at least 3" of blocking under the mounting location. Securely attach the blocking using reinforcement screws.

STEP 2 - Using the leveling plate as a template, mark the locations of the 4 mounting holes to be drilled.

- Drill 4 holes through the decking and blocking using a 3/8" diameter drill bit.

STEP 3 - Install the 4 leveling bolts into the post mount member.

- Place the leveling plate on the decking surface and align over the (4) drilled holes.
- Place the post mount member on top of the leveling plate and align the (4) holes.
- Adjust the leveling screws to ensure the post mount member is level.

STEP 4 - Install the 4 mounting bolts with washers as shown.

- On the underside, place the back plate over the exposed mounting bolts. (Use the centered holes for in-line applications and the offset holes for corner applications.)
- Secure the back plate by using the supplied mounting nuts and washers.

STEP 5 - Install the two guide blocks onto the post mount member. They should be positioned so that the screws from the railing brackets will screw into the guide blocks.

- Once the proper heights are established, drill a 1/8" dia. hole through both the guide block and the post mount member. Install the supplied guide block screws to hold the guide blocks in place.

STEP 6 - Install the post profile and rail brackets according to manufacturer specifications.

IMPORTANT:

Installer must consult local code officials for compliance to building code requirements.

Made In USA of U.S. and imported parts.