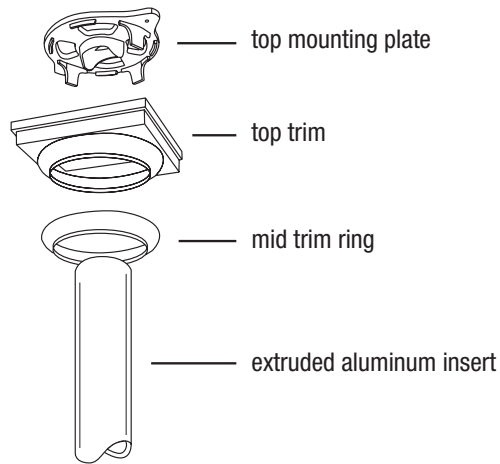
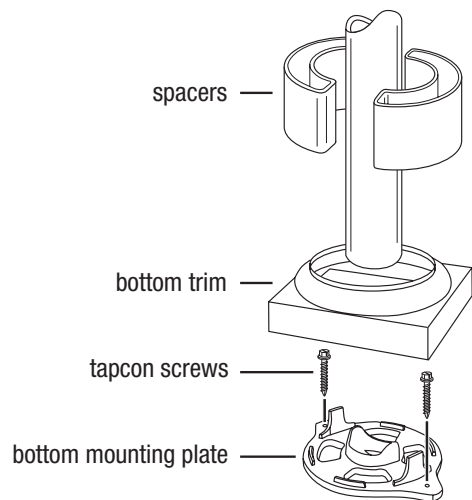


COLUMN TOP



COLUMN BOTTOM



- Included in box 1 of 2:**
- 1 – Post with Aluminum Insert and Spacer Bars
 - 1 – Top Mounting Plate (Aluminum)
 - 1 – Bottom Mounting Plate (Aluminum)
- Included in box 2 of 2:**
- 1 – Top Trim
 - 1 – Bottom Trim
 - 1 – Column Ring
 - 4 – #14x4" Screws (Uplift)
 - 6 – #8x2" Screws (2 – Column Ring)
(2 – Top Cap)
(2 – Spacers)
 - 4 – #10x1½" Flathead (Wood Fastener)
 - 2 – Tapcon Screws (1¾") (Concrete Fastener)

Round Columns are not intended for free standing structures.

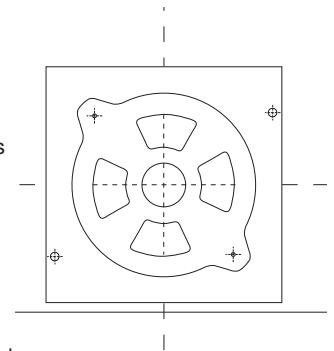
Round Column Installation Instructions

NOTE: Before installing column, you will need to modify the height of the base trim to allow proper clearance between bottom rail and finished deck.

It is the responsibility of the installer to meet or exceed all code and safety requirements, and to obtain all required building permits. These instructions are only a guide and may not address every circumstance. The deck and railing installer should determine and implement appropriate installation techniques for each situation.

1. Begin by laying out the placement of the posts. Typically, the center of the carrying beam is determined along with the location of each post on that line. Mark the location of the center of each post. Using a "plumb bob", determine the center of the post at the floor level and mark that spot. With all post centers marked, snap a line the length of the project through the center marks.

2. Using the template that is provided with the post trim, mark the center as established from the previous step. Align the centering marks of the template with the project center line from the previous step. Mark the position of the holes for the bottom bracket and the trim locator pins. Likewise, mark the position of the top bracket mounting holes (there are no locator pins on the top). Care in establishing the top and bottom bracket locations will enable the post to be installed plumb. This is especially important when installing tapered columns.



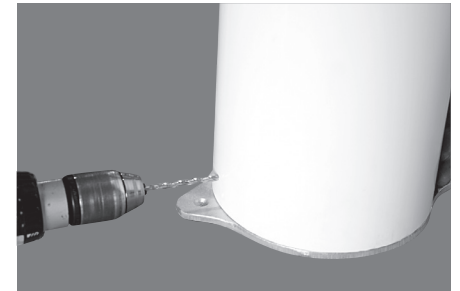
3. Using a hammer drill, pre-drill 1/4" holes for the bottom bracket at an angle that will be convenient to drive the screws into the concrete when the post assembly is placed (see step #11), drill 1/2" holes for the trim locator pins. These are drilled straight into the concrete. Typically, it is not necessary to pre-drill the top bracket holes. However, to ensure the most correct placement of the bracket, you may wish to provide pilot holes.



6. Remove the unwanted amount using a saber saw with a fine tooth blade.



9. Slide the mid-trim ring onto the post, as shown. 8" and 10" tapered posts have an offset on which the ring rests. The location of the rings for straight posts should be pre-determined (typically, 8" from the top on the 8" post) and marked.



12. In areas where uplift from high winds is considered a problem, pre-drill 1/4" holes through the column and bracket ears at the position of the bracket mounting tabs into the post approximately 1" from the bottom and 1" from the top.

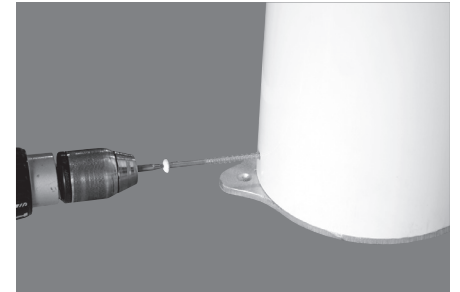
4. If adjusting the length of the post is required, slide the inner post and spacers out of the post from the base (straight) end. Measure and mark the amount to be removed and cut the inner post with a fine tooth carbide blade on a chop saw.



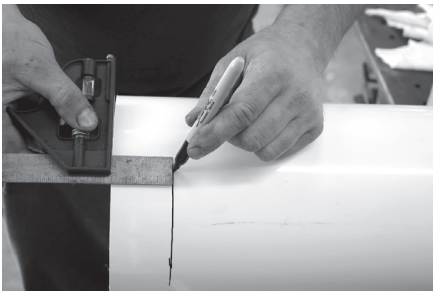
7. Before pre-assembling column, you must determine the placement of the spacers. Measure from the bottom of the aluminum insert (34" for 36" high railing and 40" for 42" high railing). This will be the placement of the bottom of the aluminum insert spacer.



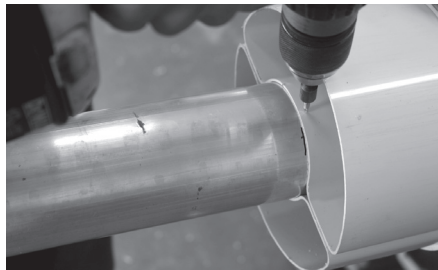
10. With the rings properly positioned on the 8" straight post, drive #8x2" self-drilling screws into the post through the holes in the top of the ring, as shown. Slide the top and bottom trim over the post, followed by the top and bottom mounting brackets.



13. Drive #14x4" screws into the post securing the post to the bracket top and bottom. Placement of the top and bottom trim will hide the screws.

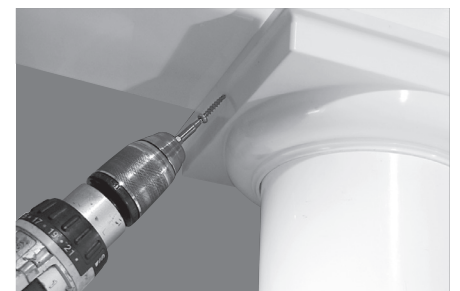


5. Using a "T" square, mark the outer post (bottom straight end only).



8. Spacers need to be fixed in place using #8x2" self-drilling screws. Slide inner pipe with spacer into column. **If a railing system is being installed with the lower rail at 2" off of the deck, the base trim ring will need to be cut to provide for the lower rail mounting bracket. See the instructions included with the trim.**

11. Slide the assembly into position aligning the brackets with the holes drilled in step #2. Using a hammer drill, drive the Tapcon screws into the concrete deck. Likewise, affix the top bracket to the carrying timber.



14. Top trim is now fixed to the carrying timber as shown using #8x2" self-drilling screws.