

Drop-in HEAVY-DUTY RAILING BRACKET SYSTEM

Instructions For Product No. 1703 & 1704

- 1) Layout locations for brackets as shown in Fig. 1 (four holes for each bracket).
- 2) Pre-drill four screw holes each bracket using a 3/32" drill bit.
- 3) Fasten bracket to post using stainless steel screws provided.
- 4) Drop rail assembly into brackets and check to ensure all rail bottoms are against brackets.
- 5) Pre-drill two screw holes for each side of rail using a 3/32" drill bit. (Use 5/32" drill bit if using aluminum support)
- 6) Fasten rail assembly to brackets using stainless steel screws provided.
- 7) Gently spread trim cover to fit over rail assembly as shown in Fig 2.

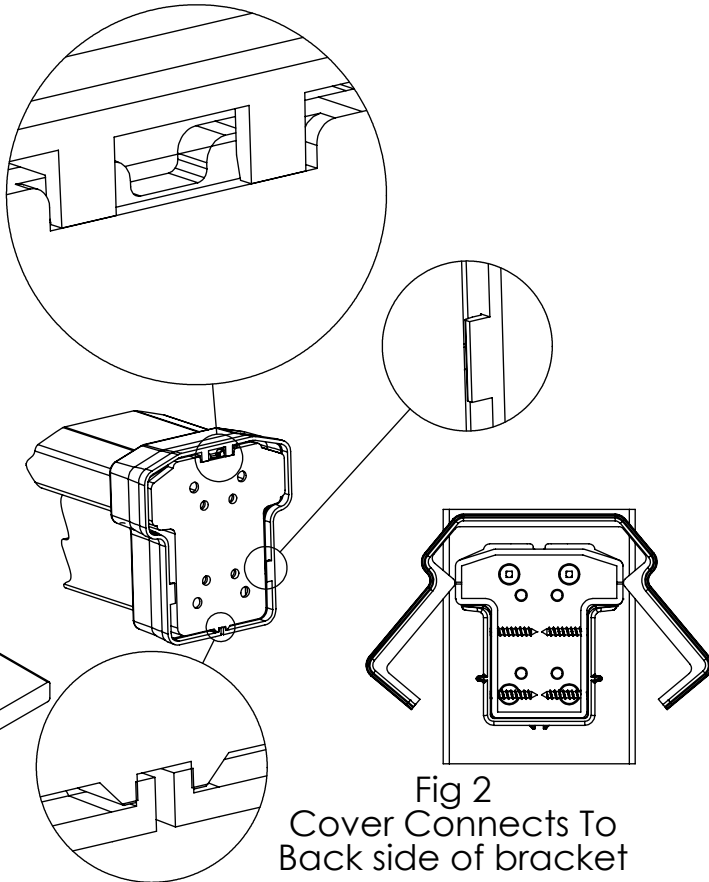
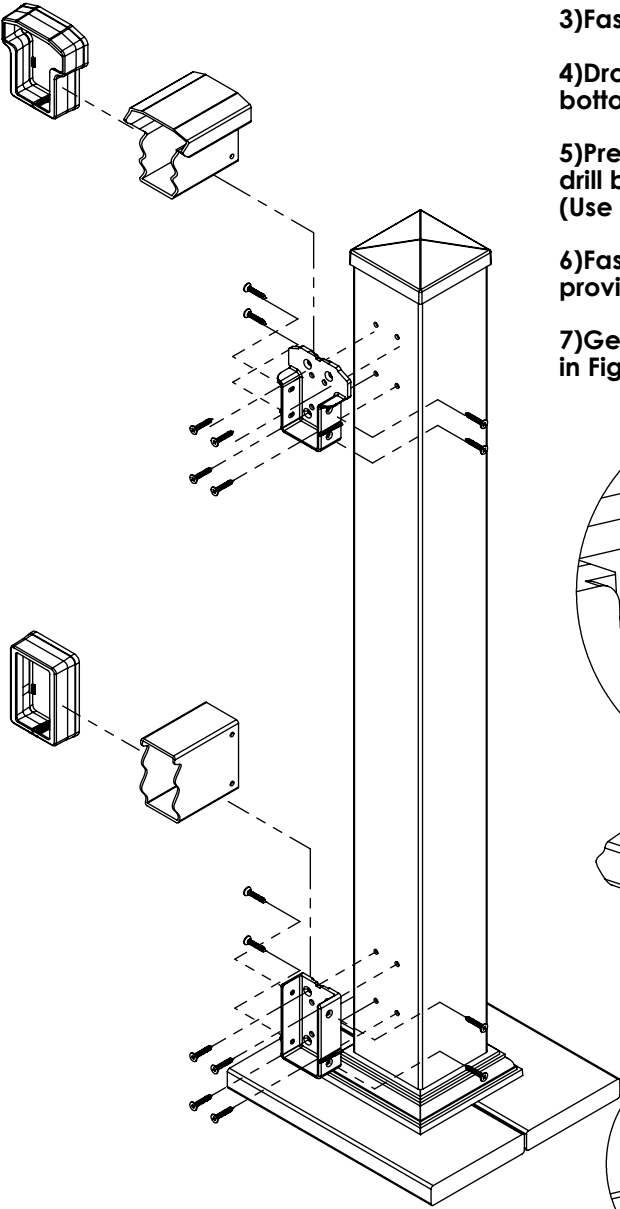
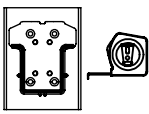
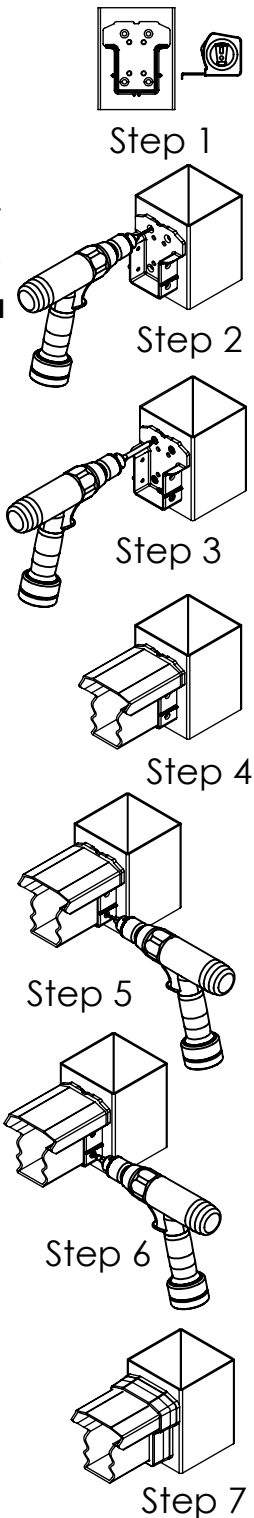
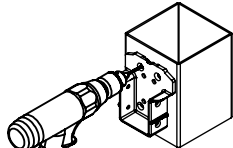


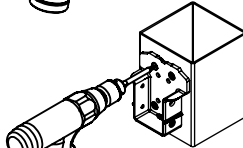
Fig 2
Cover Connects To Back side of bracket



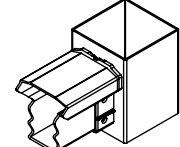
Step 1



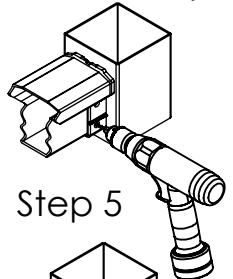
Step 2



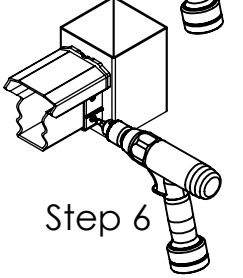
Step 3



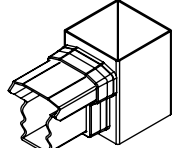
Step 4



Step 5



Step 6



Step 7

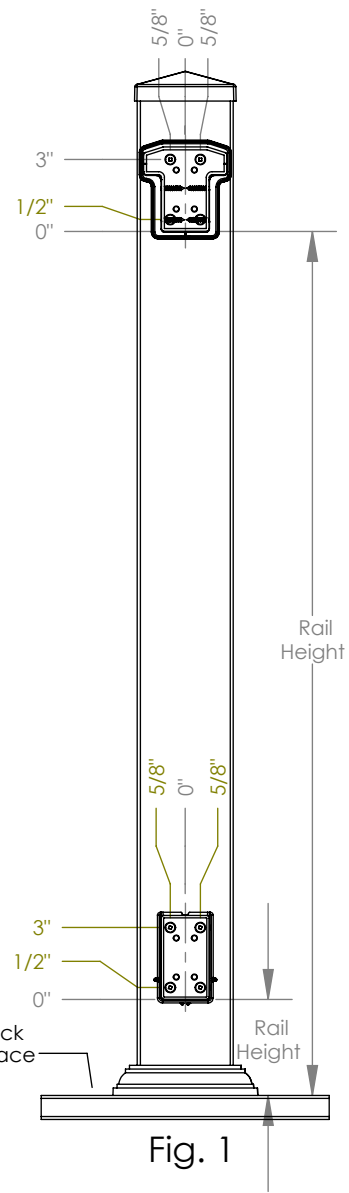


Fig. 1