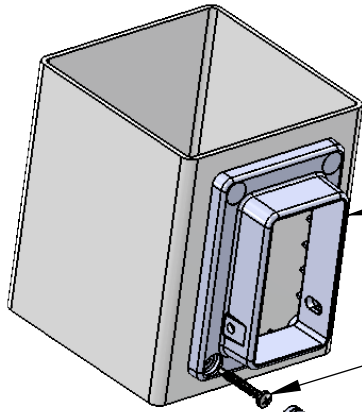


HOLE PLUGGED BRACKET KIT MOUNTING INSTRUCTIONS



1

Position the bracket on the post in the desired location.

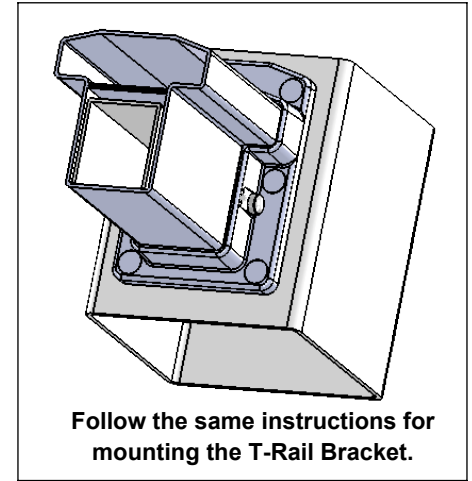
2

Secure the bracket using the #10 x 1-1/2" stainless steel screws provided.

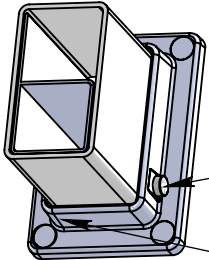
Do not over tighten - 20 foot-pounds max. (Dewalt torque setting # 3)

3

Conceal the mounting screws with the hole plugs provided.



Install the supplied #10 x 1" stainless steel snap cap screw in the hole on the side of the bracket. Make sure it goes into the aluminum or galvanized stiffener.



5

Install the supplied snap cap cover to the head of the screw.

6

Repeat steps 4 and 5 on the other side of the bracket.

4

