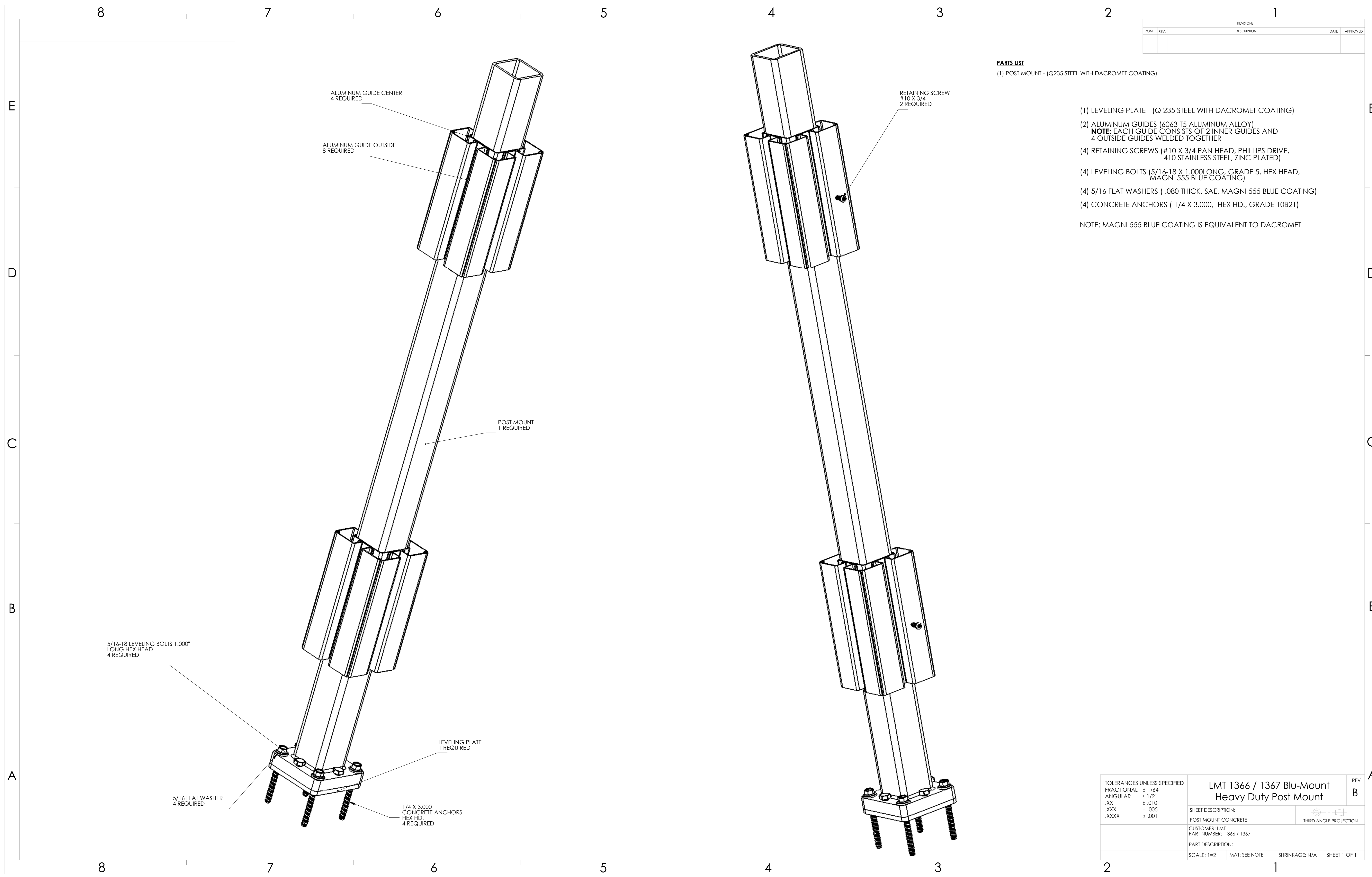


REVISIONS		DATE	APPROVED
ZONE	REV.	DESCRIPTION	

**PARTS LIST**  
 (1) POST MOUNT - (Q235 STEEL WITH DACROMET COATING)

- (1) LEVELING PLATE - (Q 235 STEEL WITH DACROMET COATING)
  - (2) ALUMINUM GUIDES (6063 T5 ALUMINUM ALLOY)  
**NOTE:** EACH GUIDE CONSISTS OF 2 INNER GUIDES AND 4 OUTSIDE GUIDES WELDED TOGETHER
  - (4) RETAINING SCREWS (#10 X 3/4 PAN HEAD, PHILLIPS DRIVE, 410 STAINLESS STEEL, ZINC PLATED)
  - (4) LEVELING BOLTS (5/16-18 X 1.000" LONG, GRADE 5, HEX HEAD, MAGNI 555 BLUE COATING)
  - (4) 5/16 FLAT WASHERS (.080 THICK, SAE, MAGNI 555 BLUE COATING)
  - (4) CONCRETE ANCHORS (1/4 X 3.000, HEX HD., GRADE 10B21)
- NOTE: MAGNI 555 BLUE COATING IS EQUIVALENT TO DACROMET



TOLERANCES UNLESS SPECIFIED FRACTIONAL ± 1/64 ANGULAR ± 1/2° .XX ± .010 .XXX ± .005 .XXXX ± .001	<b>LMT 1366 / 1367 Blu-Mount Heavy Duty Post Mount</b>		REV B
	SHEET DESCRIPTION: POST MOUNT CONCRETE		THIRD ANGLE PROJECTION
	CUSTOMER: LMT PART NUMBER: 1366 / 1367		
	PART DESCRIPTION: SCALE: 1=2    MAT: SEE NOTE    SHRINKAGE: N/A		SHEET 1 OF 1