

KLTRV-500-BK

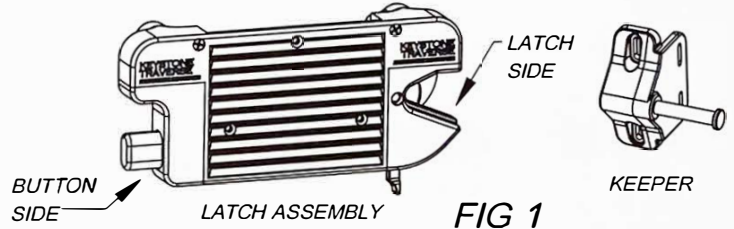
Keystone Traverse 500 Reversible Nylon Double-Sided Locking Latch for Vinyl Gates with Self-Drilling Screws (Black)

INSTALLATION INSTRUCTIONS

PLEASE CAREFULLY READ ALL OF THE INSTRUCTIONS PRIOR TO INSTALLATION

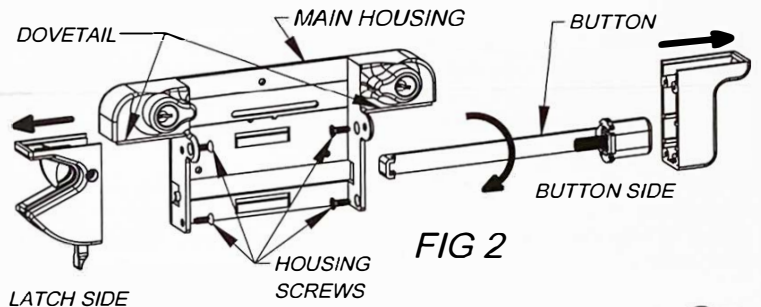
STEP 1

DETERMINE IF THE HANDING OF THE LATCH OUT OF THE PACKAGE IS CORRECT FOR THE APPLICATION. WHEN MOUNTED ON THE FENCE POST OPPOSITE THE HINGES, THE LATCH SIDE OF THE LATCH ASSEMBLY (FIG 1) SHOULD BE ON THE SAME SIDE OF THE FENCE AS THE HINGES. IF THE LATCH NEEDS TO BE REVERSED, CONTINUE TO STEP 2. IF THE LATCH DOES NOT NEED TO BE REVERSED, SKIP TO STEP 4.



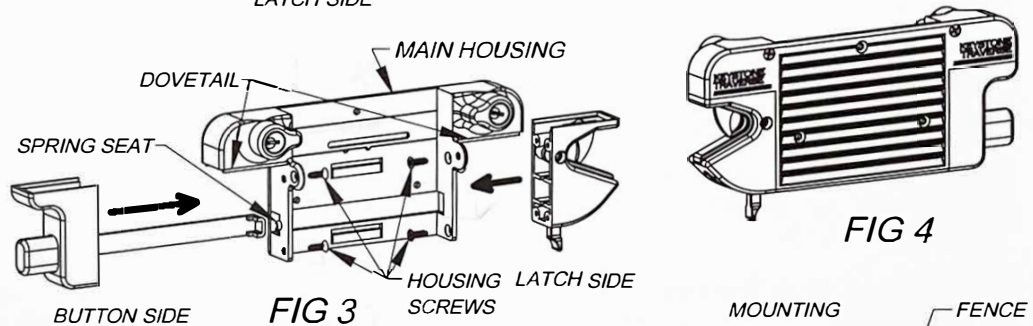
STEP 2

REMOVE THE (4) HOUSING SCREWS (FIG 2). SLIDE THE LATCH ASSEMBLY FROM THE MAIN HOUSING. SLIDE THE BUTTON ASSEMBLY FROM THE MAIN HOUSING. REMOVE THE BUTTON FROM THE BUTTON HOUSING, ROTATE THE BUTTON 180 DEGREES AND REINSTALL THE BUTTON INTO THE BUTTON HOUSING, TAKING CARE TO LEAVE THE SPRING IN THE BUTTON.



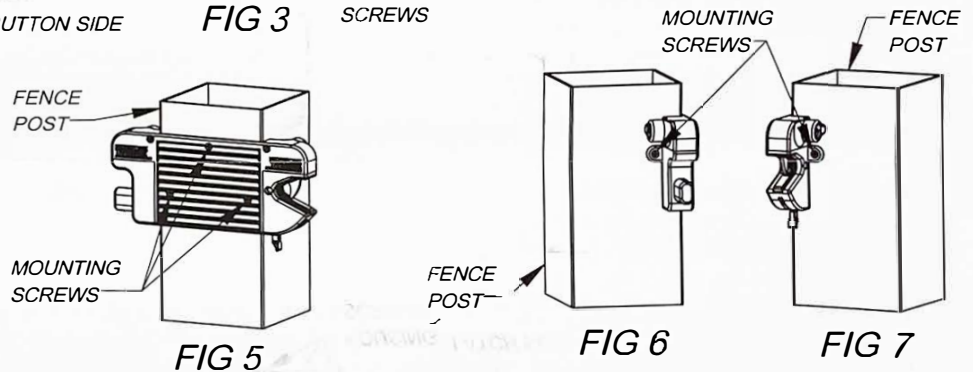
STEP 3

SLIDE THE LATCH ASSEMBLY AND BUTTON ASSEMBLY ON TO THE MAIN HOUSING (FIG 3) ON THE OPPOSITE SIDES, TAKING CARE TO ALIGN THE DOVETAILS ON THE HOUSINGS WITH THE DOVETAILS ON THE MAIN HOUSING. THE BUTTON SHOULD BE INSERTED THROUGH THE HOLE IN THE MAIN HOUSING AND THE SPRING SHOULD BE ALIGNED WITH THE SPRING SEAT. REINSTALL THE (4) HOUSING SCREWS. CHECK THE COMPLETED ASSEMBLY (FIG 4) TO MAKE SURE IT IS NOW PROPERLY HANDED FOR THE APPLICATION (SEE STEP 1).



STEP 4

HOLD LATCH AT DESIRED HEIGHT ON THE FENCE POST, INSTALL (3) FLAT HEAD MOUNTING SCREWS INTO THE SIDE OF THE LATCH (FIG 5), INSTALL (1) FLAT HEAD MOUNTING SCREW IN BUTTON HOUSING (FIG 6) AND INSTALL (1) FLAT HEAD SCREW INTO LATCH HOUSING (FIG 7).



STEP 5

WITH THE GATE CLOSED, HOLD THE KEPPER TO THE GATE AND ALIGN TO THE LATCH ASSEMBLY. INSTALL (2) PAN HEAD MOUNTING SCREWS, OPEN THE GATE AND INSTALL (2) PAN HEAD MOUNTING SCREWS.

